

TECHNICAL SPECIFICATION

LED Road fixtures – STREETII



Technical data

- Power: 24W/40W/80W/120W
- Rated voltage: 230V
- Power supply: low-voltage, direct-current device – driver
- LED type: SMD
- Light source: SAMSUNG
- Color temperature: 4000K
- Beam angle: 120°
- Protection against dust and moisture: IP65
- Housing: aluminum body
- Colour of the housing: grey
- Ambient temperature: -40°C ÷ +65°C
- Long life: 30000 hours
- Colour rendering index: Ra≥70

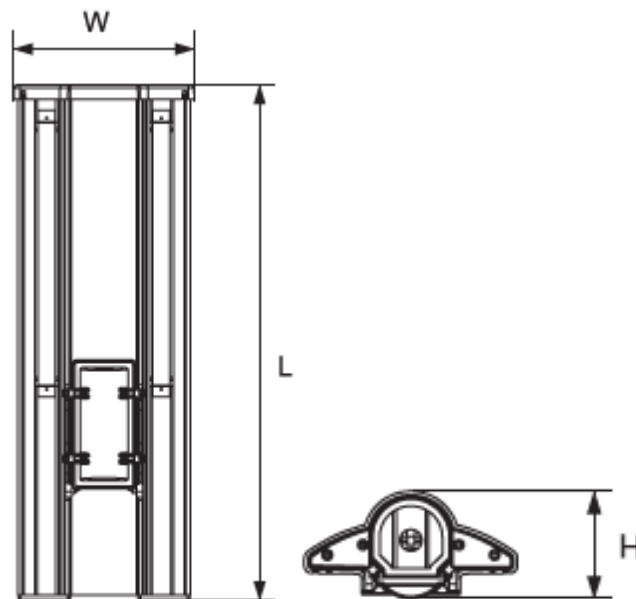
Areas of application

- Roads and streets
- Squares
- Fleets
- Parking lots
- Warehouses

Product benefits

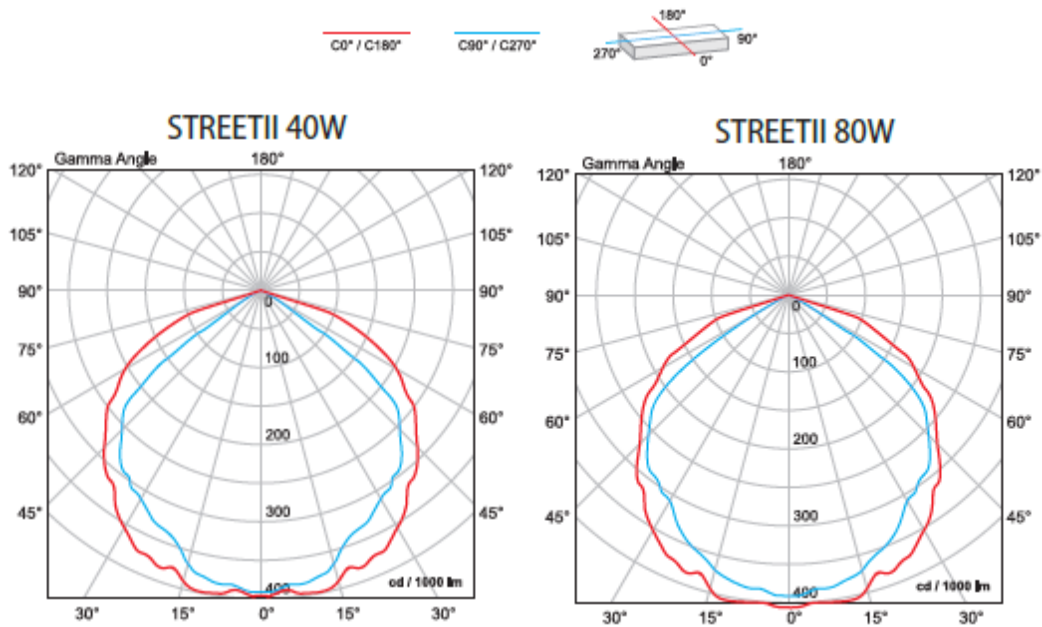
- Completely replace traditional street lamps
- Wide distribution of homogenous, highly efficient light
- Economic - low power consumption
- Repeated switch on/off does not effect the fixture lifespan
- Instant light at maximum luminous flux
- Environmentally friendly - no mercury and lead
- No ultraviolet and infrared rays
- Resistant to shock and vibration stable body
- Voltage supply fluctuations do not affect the normal operation of the fixture

Variants and dimensions



Model	Watt	LED chip lumens (lm)	Whole fixture lumens (lm)	Colour temp. (k)	Colour body	Size			Catalogue number	Packing (pcs)
						Length	Width	Height		
STREETII24	24W	2880	1920	4000	grey	284	166	85	98AT8024	1
STREETII40	40W	4800	3200	4000	grey	474	166	85	98AT8040	1
STREETII80	80W	9600	6400	4000	grey	650	166	85	98AT8080	1
STREETII120	120W	14400	9600	4000	grey	890	166	85	98AT80120	1

Luminous distribution curves



Energy efficiency

This lighting fixture contains built in led lamps from energy classes.

The lamps in the lighting fixture cannot be changed.

ELMARK lighting 98AT8024

874/2012

Barcodes

Barcodes	Catalogue number
3800131190512	98AT8024
3800131190529	98AT8040
3800131190536	98AT8080
3800131190543	98AT80120

Standards

EN 55015

EN 61000-3-2

EN 61000-3-3

EN 61547

EN 60598-1

EN 60598-2-3

